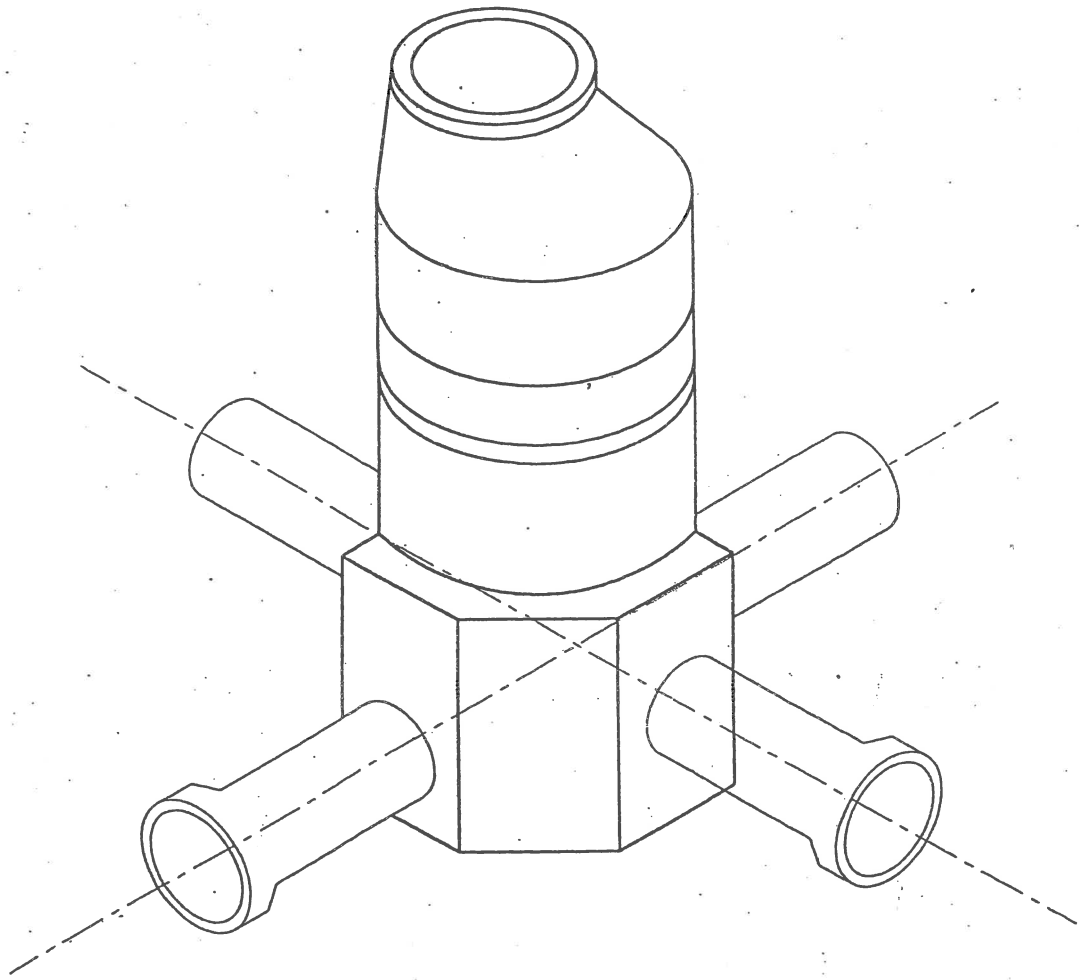
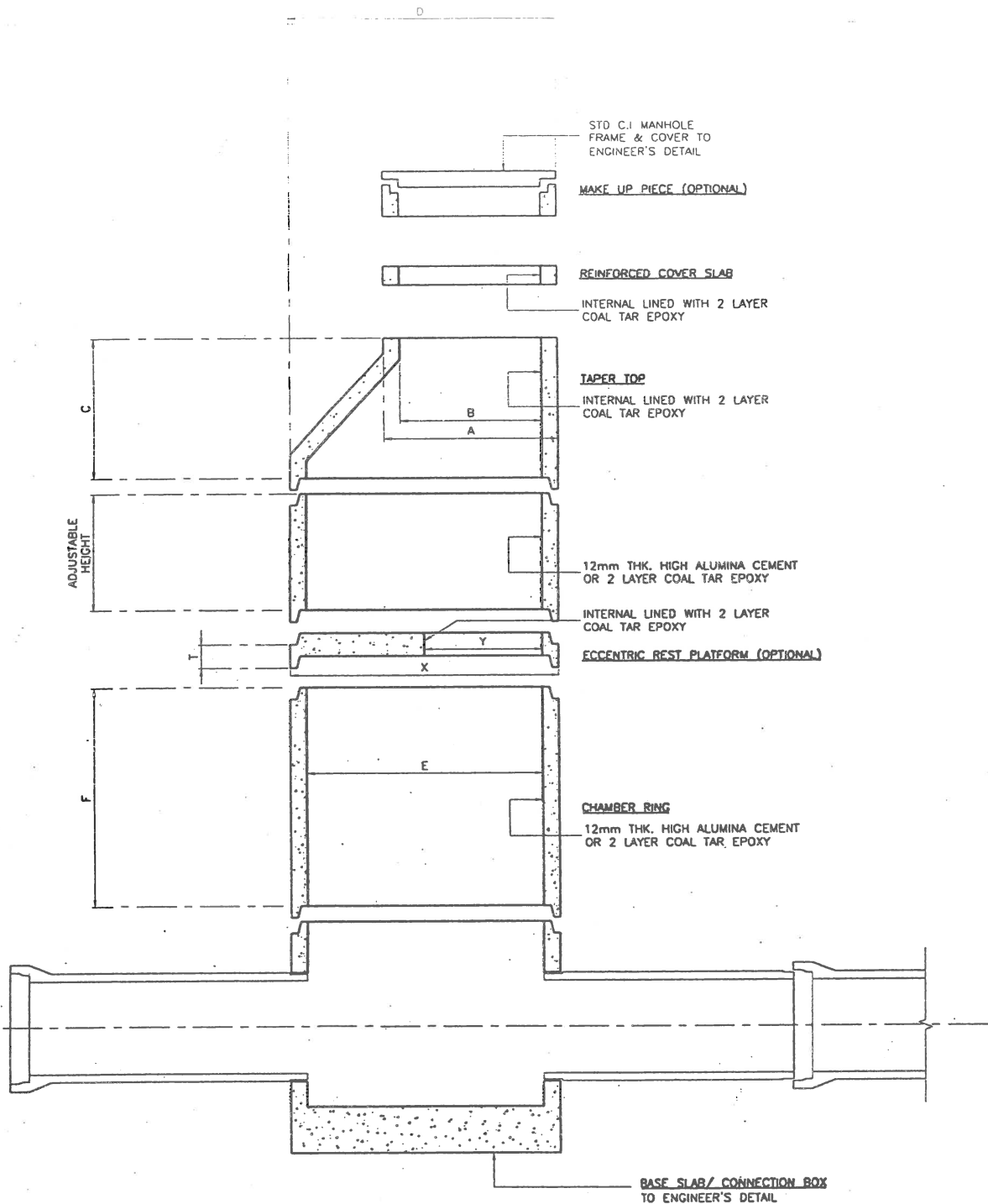


CINLE MANHOLES



Cinle Concrete Products Industries Sdn. Bhd
Factory/Office: Lot 1744, Block 71, Jalan Landeh Cinle 10th Mile,
Kota Padawan, 93746 Kuching, Sarawak, Malaysia.
Tel: 080-611235, 627588 Fax: 082-628288



TYPICAL SECTION FOR STANDARD DEEP MANHOLE
(PRECAST CONCRETE MANHOLE, 1200mm AND 1500mm DIAMETER)

MANHOLE DIAMETER	A	B	C	D	E	F	T	X	Y
MM	MM	MM	MM	MM	MM	MM	MM	MM	MM
1200	845	675	600	1370	1200	1500	125	1370	600
1500	1110	900	900	1710	1500	1500	150	1710	750

MANHOLE COMPONENTS — DIMENSIONAL DETAILS

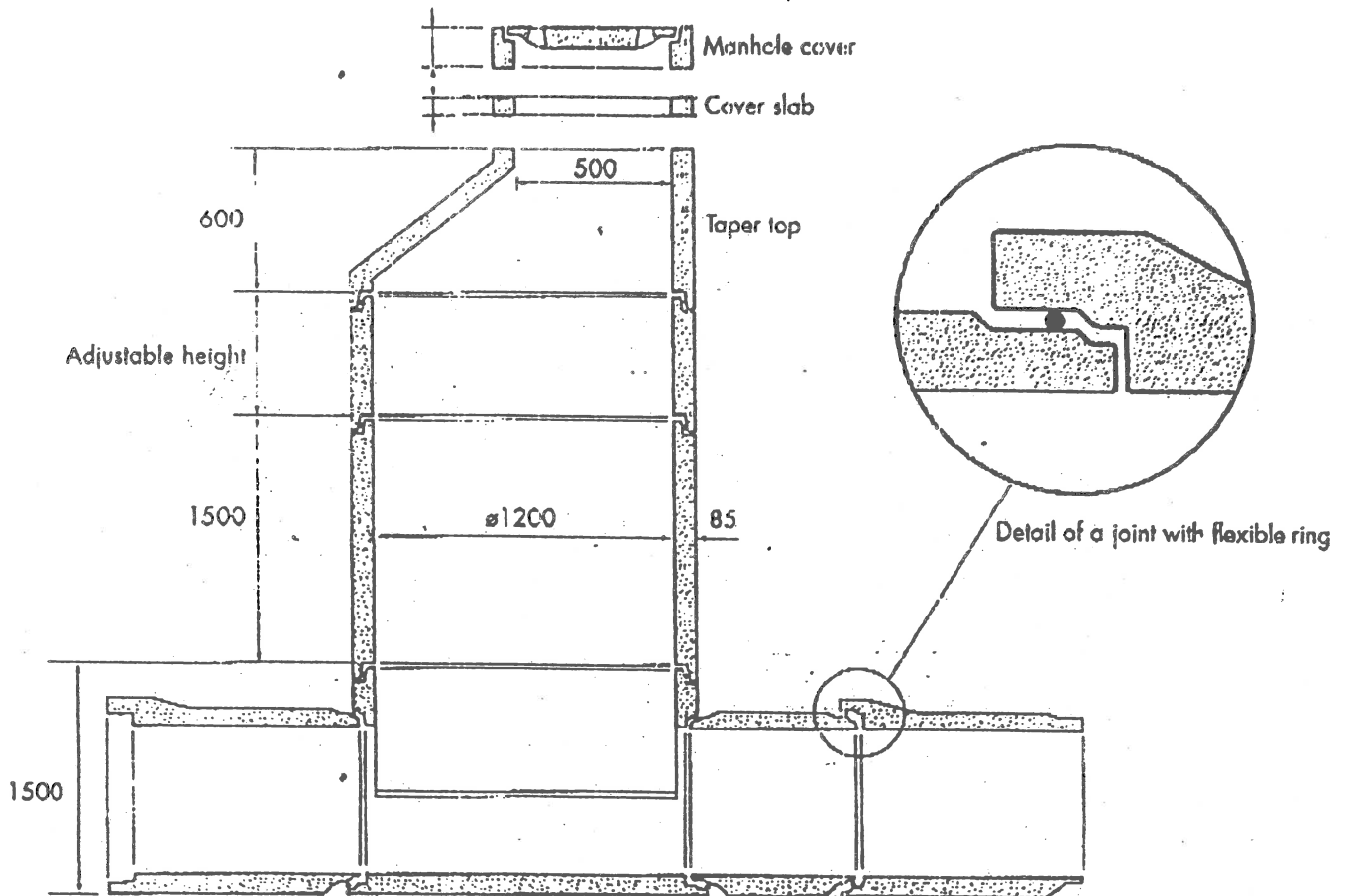
MANUFACTURER :

Cinle Concrete Products Industries Sdn. Bhd
Factory/Office: Lot 1744, Block 71, Jalan Landeh Cinle 10th Mile,
Kota Padawan, 93746 Kuching, Sarawak, Malaysia.
Tel: 080-611235, 627588 Fax: 082-628288

TITLE :

CINLE PRECAST CONCRETE MANHOLE
(MANUFACTURE TO BS5911 PART 1 : 1981)

Inspection sewer manhole, 1,200mm diameter.
This can also be produced with diameters of 1,500mm.

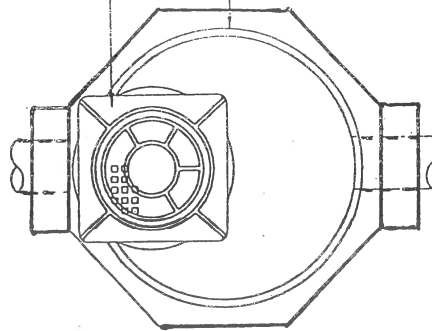


CINLE CONCRETE PRODUCTS INDUSTRIES SDN. BHD
LOT 857, 1ST AND 2ND FLOOR,
TABUAN JAYA COMMERCIAL CENTRE,
P. O. BOX 2263, 93746 KUCHING, SARAWAK
MALAYSIA. TEL: 082-368523 369523

Tel: 082-627588, 628588, 629588
Fax: 082-628288

STD.C.I. Manhole
Frame & Cover

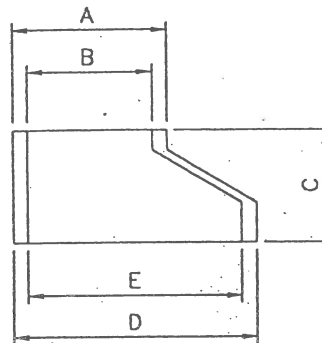
Cement Mortar Infill



PLAN VIEW

STEEL REINFORCEMENT DETAIL

1 Drawn Deformed Bar
Y6 @ 50mm c/c Bothway



TAPER X-SECTION

MANHOLE DIAMETER	A	B	C	D	E	F
MM	MM	MM	MM	MM	MM	MM
1200	845	675	600	1370	1200	1500
1500	1110	900	900	1710	1500	1500

MANHOLE COMPONENTS – DIMENSIONAL DETAILS

Cinle Concrete Products Industries Sdn. Bhd

Factory/Office: Lot 1744, Block 71, Jalan Landeh Cinle
10th Mile, Kota Padawan, Kuching, Sarawak, Malaysia.

P.O. Box 2263, 93746 Kuching, Sarawak, Malaysia.

Tel: 082-611235, 627588, 628588, 629588

Fax: 082-628288, 367524